



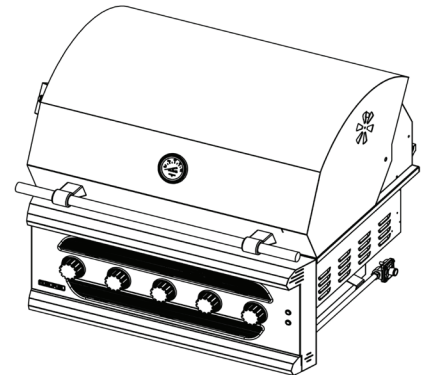
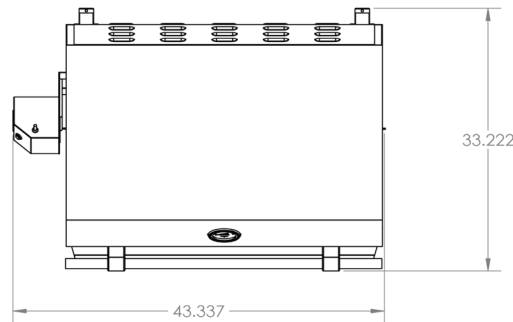
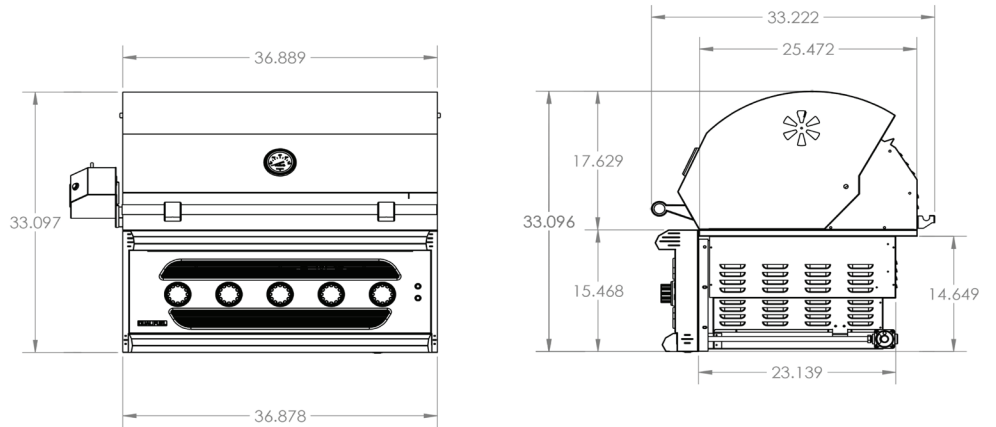
SUMMERSET
PROFESSIONAL GRILLS

36" American Muscle Grill

Model	AMG36
Cutout Dimensions*	w35" x h15" x d25"
Overall Dimensions**	w37" x h33" x d33 1/4"
Material	#304 North American Stainless Steel
Burner Count	5 Main Burners
Total BTU	110,000 BTU
Total Cooking Surface	1,105 sq. in.
Electical Supply	120 VAC, 60 HZ - Input 12 VAC, 5000 mA, 60W - Output
Gas Inlet NG	1/2" NPT Female Regulator
Gas Inlet LP	1/2" Flared Male Fitting
Power Cord Length	13 ft. : 77" Power Cord + 80" Transformer Wire

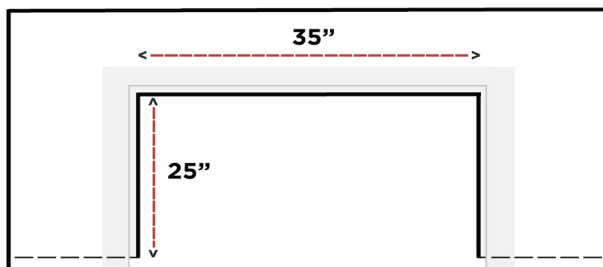
* Manufacturer Suggested Cutout Dimensions
** Manufacturer Approximate Overall Dimensions

NOTES



Suggested Cutout Dimensions*
(W) 35" x (H) 15" x (D) 25"

Island Top View



Island Front View

